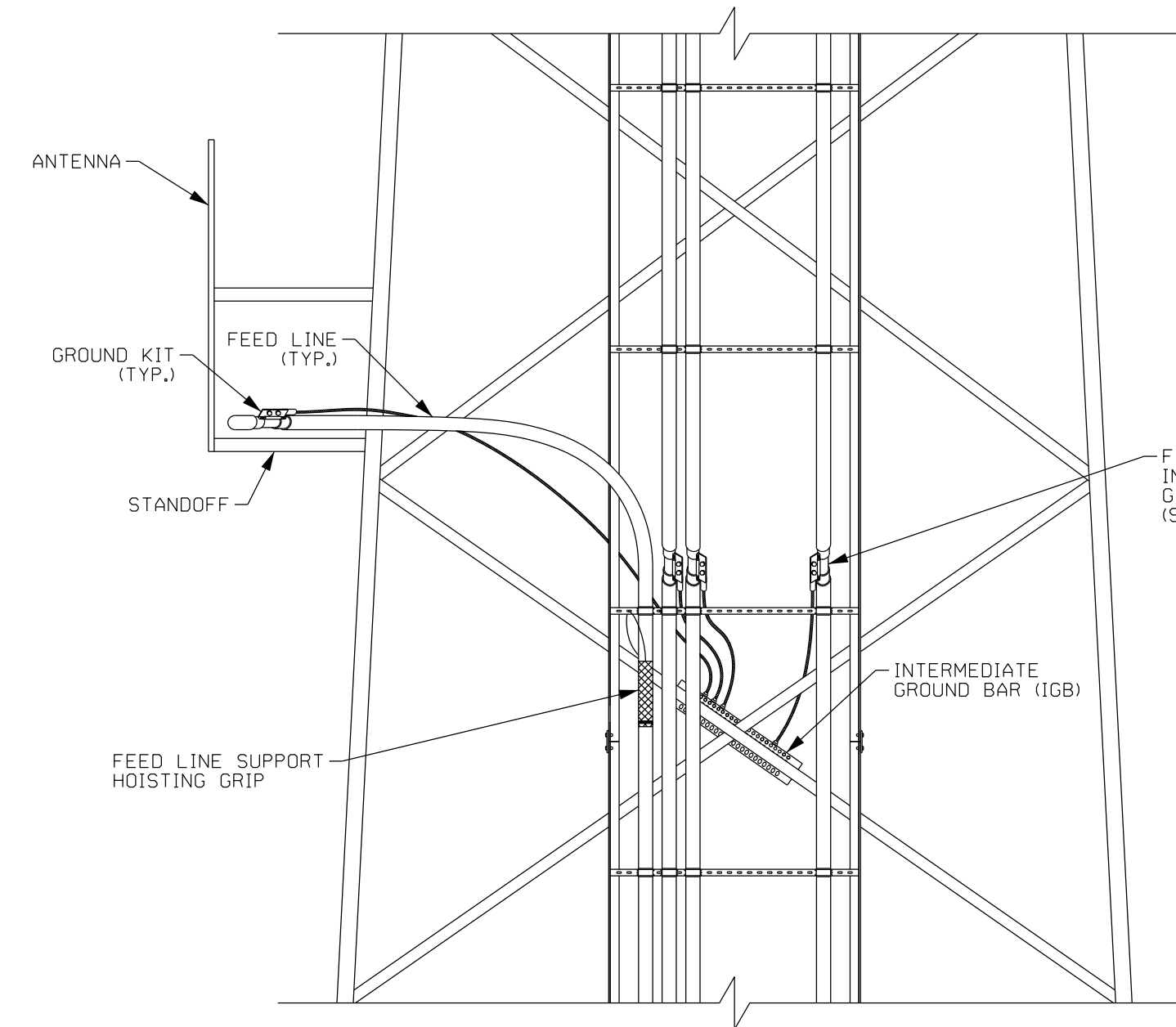
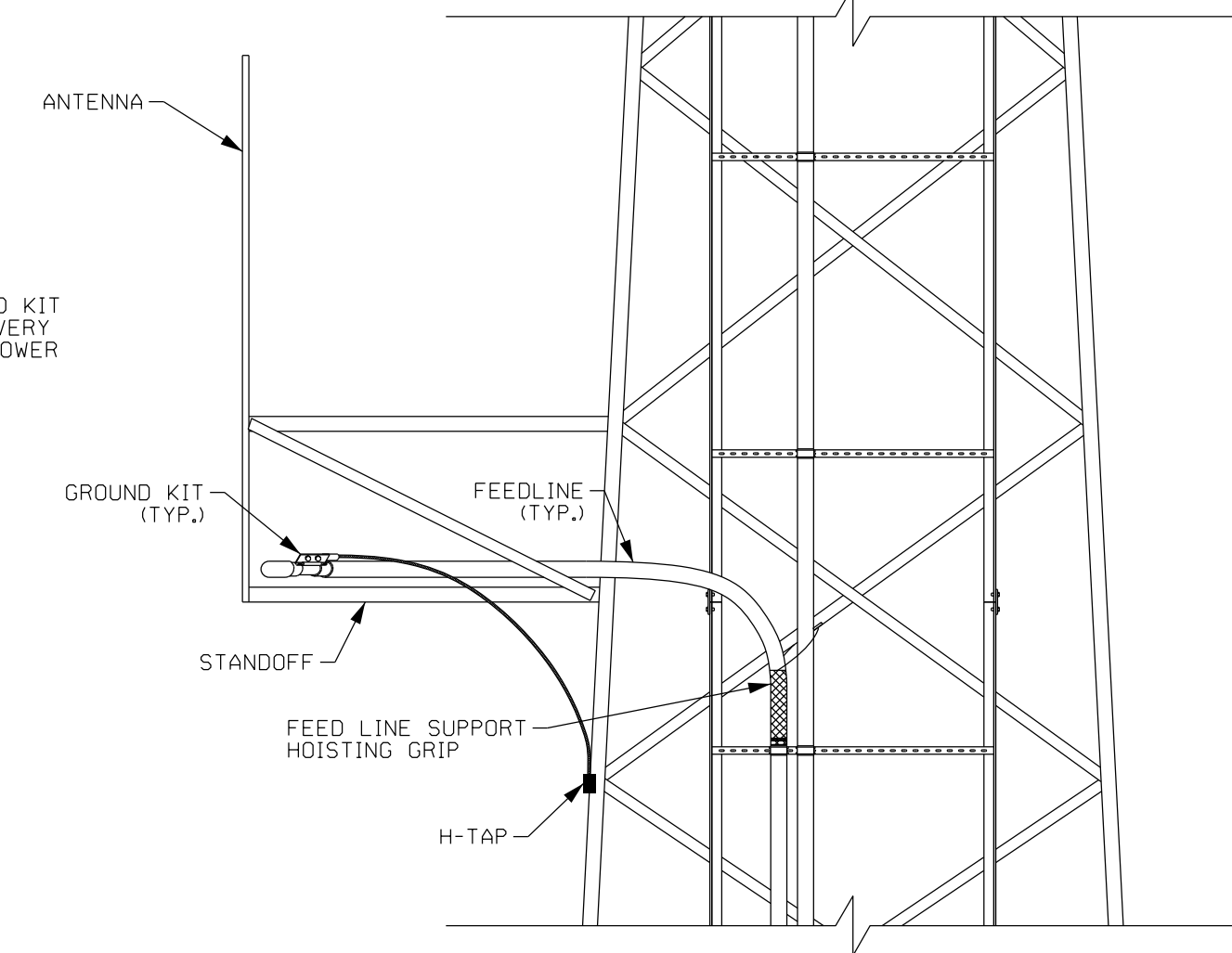


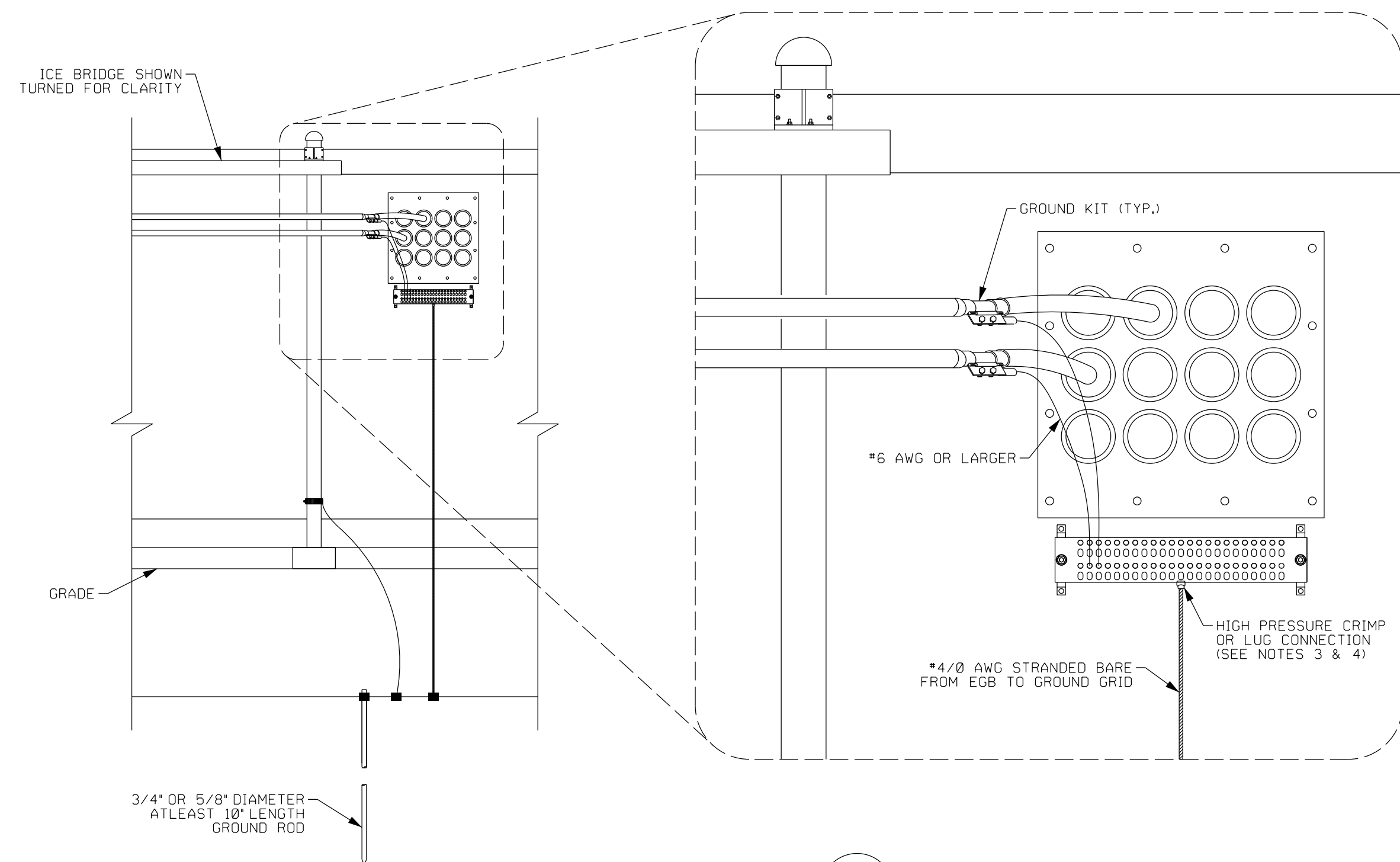
GROUND BAR (INTERIOR)  
1/2"=1'-0" (K)



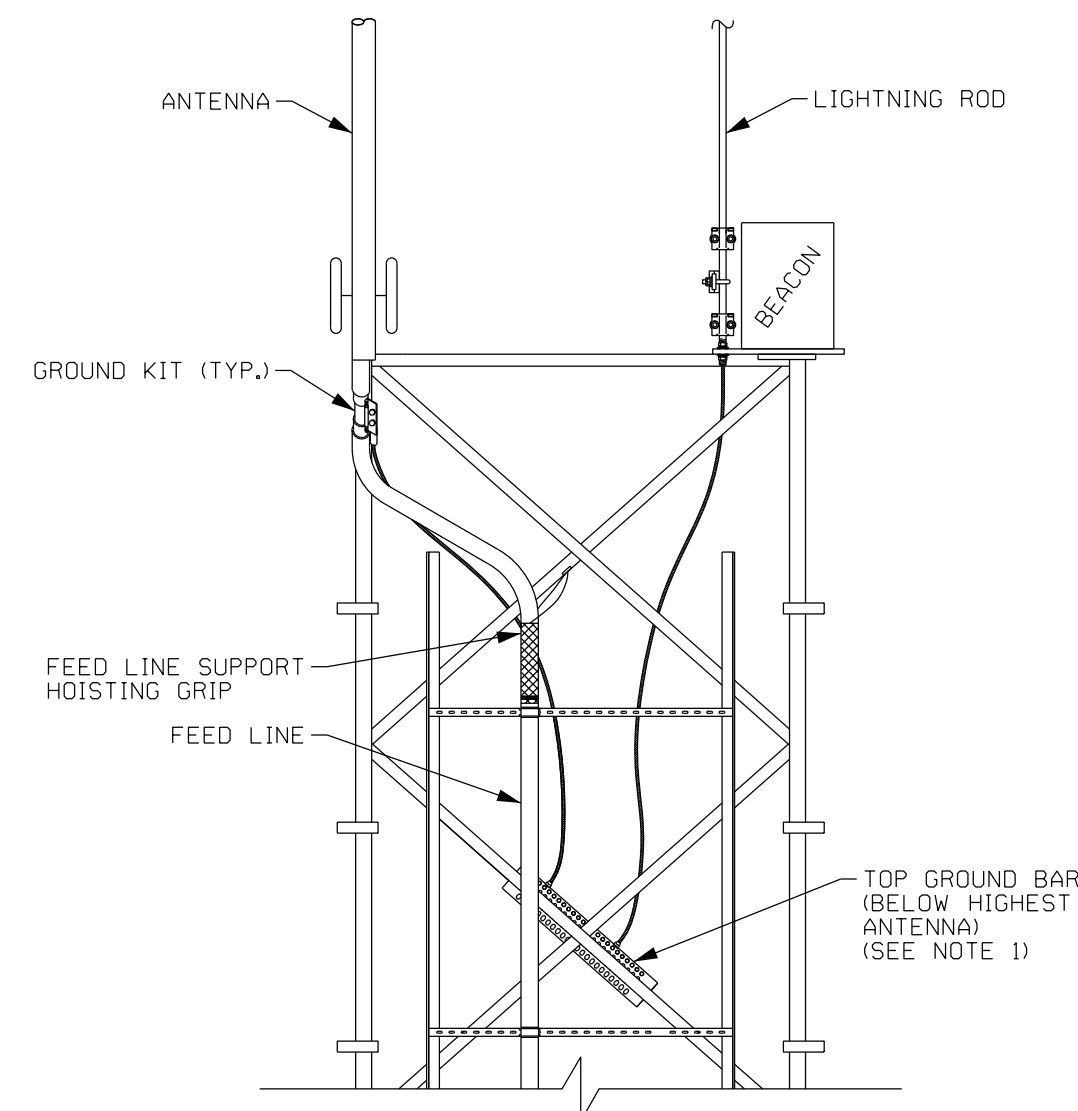
INTERMEDIATE GROUND BAR (IGB)  
1/2"=1'-0" (H)



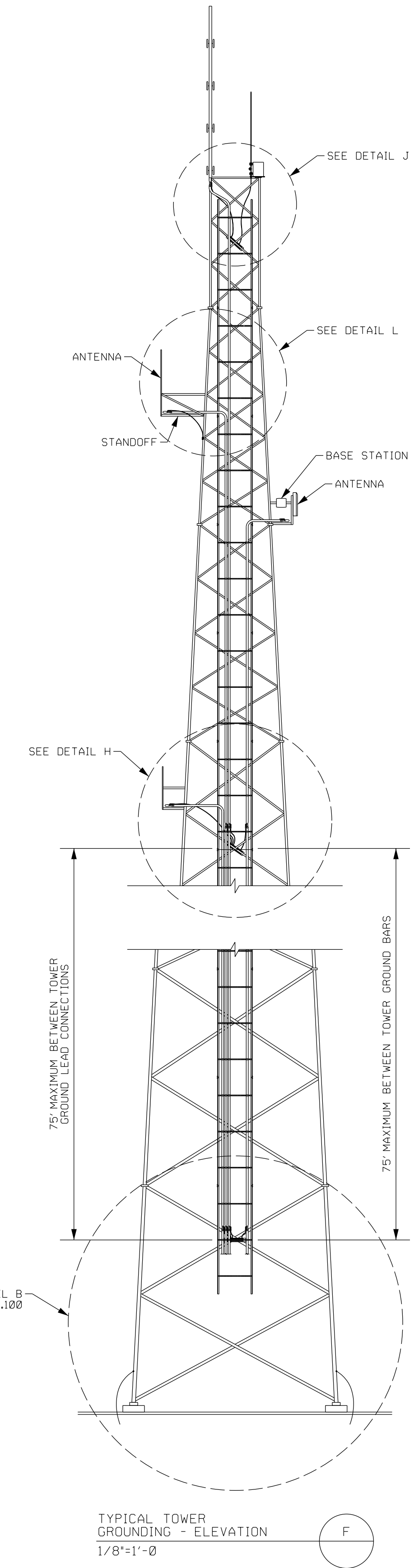
INTERMEDIATE GROUNDING  
WITH NO GROUND BAR  
1/2"=1'-0" (L)



EXTERIOR GROUND BAR (EGB)  
1/2"=1'-0" (G)



TOP GROUNDING  
1/2"=1'-0" (J)



TYPICAL TOWER  
GROUNDING - ELEVATION  
1/8"=1'-0" (F)

**GENERAL NOTES:**

1. TOWER GROUND BARS (TOP, INTERMEDIATE, BOTTOM) SHOULD BE BONDED TO THE TOWER USING STRUCTURAL BOLTS. HORIZONTAL CROSS-BRACING IS PREFERRED. IF NOT AVAILABLE, MOUNT TO ANGLED BRACING.
2. ALL BELOW-GRADE BONDS AND JOINTS (E.G. CABLE-TO-CABLE, CABLE-TO-GROUND ROD, CABLE-TO-STEEL BAR, ETC.) SHOULD BE EXOTHERMICALLY WELDED.
3. EXOTHERMIC WELDING SHOULD BE USED FOR ABOVE-GROUND CONNECTIONS ONLY WHEN OTHER BONDING METHODS ARE NOT POSSIBLE.
4. WHEN EXOTHERMIC WELDING IS NOT APPLICABLE, THE FOLLOWING BONDING METHODS SHOULD BE USED: PIPE CLAMPS, LUGS AND COMPRESSION CLAMPS.